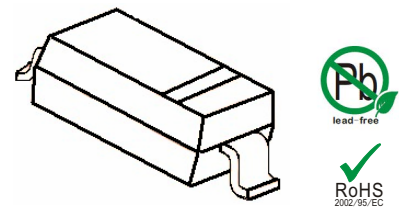


### Features

- Fast Switching Device (TRR <50nS)
- Power Dissipation of 250mW
- High Stability and High Reliability
- Low reverse leakage



**SOD-323**

### Mechanical Data

- SOD-323 Small Outline Plastic Package
- Polarity: Color band denotes cathode end
- Epoxy UL: 94V-0
- Mounting Position: Any

### Maximum Ratings & Thermal Characteristics

Ratings at 25°C ambient temperature unless otherwise

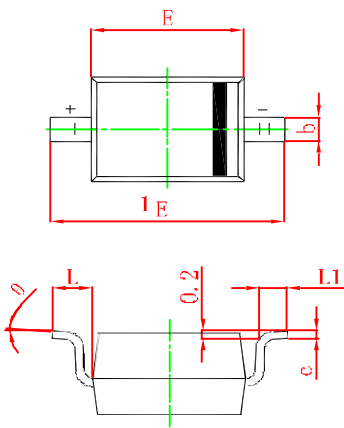
Parameters	Symbol	BAV19WS	BAV20WS	BAV21WS	Unit
Reverse Voltage	V <sub>R</sub>	120	200	250	V
Peak Reverse Voltage	V <sub>RM</sub>	100	150	250	V
Power Dissipation	P <sub>d</sub>	250			mW
Operating junction temperature	T <sub>j</sub>	150			°C
Storage temperature range	T <sub>s</sub>	-65-+150			°C
Working Inverse Voltage	w <sub>IV</sub>	75			V
Average Rectified Current	I <sub>O</sub>	200			mA
Non-repetitive Peak Forward Current	I <sub>FM</sub>	400			mA
Peak Forward Surge Current @tp=1ms; TA=25 C	I <sub>FSM</sub>	1.7			A

Note: Valid provided that electrodes are kept at ambient temperature.

## Electrical Characteristics

Parameter	Symbols	Test Condition	Limits		Unit
			Min	Max	
Reverse Voltage	<b>V<sub>BR</sub></b>	I <sub>B</sub> =100uA BAV19WS	120	---	V
		BAV20WS	200		
		BAV21WS	250		
Reverse Leakage Current	<b>I<sub>R</sub></b>	V <sub>R</sub> =100V BAV19WS	---	0.1	uA
		V <sub>R</sub> =150V BAV20WS			
		V <sub>R</sub> =200V BAV21WS			
Forward Voltage	<b>V<sub>F</sub></b>	I <sub>F</sub> =100mA	---	1.00	V
		I <sub>F</sub> =200mA	---	1.25	
Reverse Recovery Time	<b>T<sub>RR</sub></b>	I <sub>F</sub> = 30mA, I <sub>R</sub> =30mA R <sub>L</sub> =100. I <sub>RR</sub> =3mA	---	50	nS
Capacitance	<b>C</b>	V <sub>R</sub> =0V, f=1MHZ	---	5	pF

## SOD-323 Package Outline



Symbol	Min.(mm)	Max.(mm)
<b>A</b>	0.800	1.000
<b>A1</b>	0.000	0.100
<b>A2</b>	0.800	0.900
<b>b</b>	0.250	0.350
<b>c</b>	0.080	0.150
<b>D</b>	1.200	1.400
<b>E</b>	1.600	1.800
<b>E1</b>	2.500	2.700
<b>L</b>	0.475REF	
<b>L1</b>	0.250	0.400
<b>θ</b>	0°	8°

MARKING: BAV19WS: A8  
BAV20WS: T2  
BAV21WS: T3

## Package Information

Qty: 3,000/Tape and reel